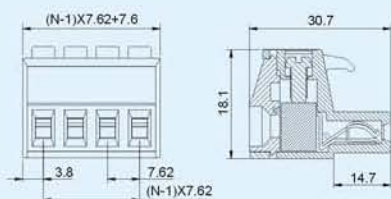




5EDGK-7.62



Pitch:7.62mm;Poles:2P~12P

● **Material**

Screws : M3
Contact : Phosphor bronze
Housing : PA66,UL94V-0

● **Electrical**

Rated voltage : 400V
Rated current : 20A
Contact resistance : 20mΩ
Insulation resistance : 5000MΩ/DC1000V
Withstanding voltage: AC2000V/1Min
Wire range : 28-10AWG 6mm²

● **Mechanical**

Temp.Range : -40°C~+105°C
Torque : 0.5Nm(4.5lb.in)
Striplength : 7-8mm

● **材质及电镀**

螺丝 : M3
触点材料: 磷青铜
塑件 : PA66,UL94V-0

● **电气性能**

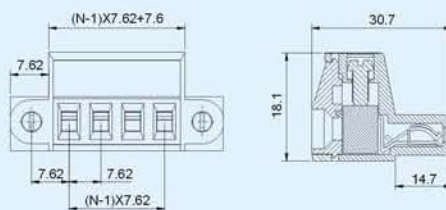
额定电压: 400V
额定电流: 20A
接触电阻: 20mΩ
绝缘电阻: 5000MΩ/DC1000V
耐电压 : AC2000V/1Min
使用线径: 28-10AWG 6mm²

● **机械性能**

温度范围: -40°C~+105°C
扭矩 : 0.5Nm(4.5lb.in)
剥线长度: 7-8mm



5EDGKM-7.62



Pitch:7.62mm;Poles:2P~12P

● **Material**

Screws : M3
Contact : Phosphor bronze
Housing : PA66,UL94V-0

● **Electrical**

Rated voltage : 400V
Rated current : 20A
Contact resistance : 20mΩ
Insulation resistance : 5000MΩ/DC1000V
Withstanding voltage: AC2000V/1Min
Wire range : 28-10AWG 6mm²

● **Mechanical**

Temp.Range : -40°C~+105°C
Torque : 0.5Nm(4.5lb.in)
Striplength : 7-8mm

● **材质及电镀**

螺丝 : M3
触点材料: 磷青铜
塑件 : PA66,UL94V-0

● **电气性能**

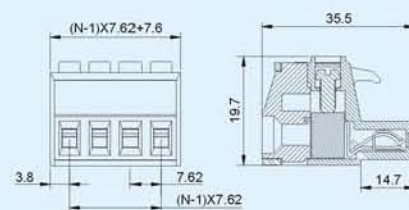
额定电压: 400V
额定电流: 20A
接触电阻: 20mΩ
绝缘电阻: 5000MΩ/DC1000V
耐电压 : AC2000V/1Min
使用线径: 28-10AWG 6mm²

● **机械性能**

温度范围: -40°C~+105°C
扭矩 : 0.5Nm(4.5lb.in)
剥线长度: 7-8mm



5EDGKH-7.62



Pitch:7.62mm;Poles:2P~12P

● **Material**

Screws : M3
Contact : Phosphor bronze
Housing : PA66,UL94V-0

● **Electrical**

Rated voltage : 800V
Rated current : 20A
Contact resistance : 20mΩ
Insulation resistance : 5000MΩ/DC1000V
Withstanding voltage: AC2000V/1Min
Wire range : 28-10AWG 6mm²

● **Mechanical**

Temp.Range : -40°C~+105°C
Torque : 0.5Nm(4.5lb.in)
Striplength : 7-8mm

● **材质及电镀**

螺丝 : M3
触点材料: 磷青铜
塑件 : PA66,UL94V-0

● **电气性能**

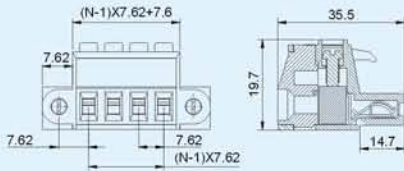
额定电压: 800V
额定电流: 20A
接触电阻: 20mΩ
绝缘电阻: 5000MΩ/DC1000V
耐电压 : AC2000V/1Min
使用线径: 28-10AWG 6mm²

● **机械性能**

温度范围: -40°C~+105°C
扭矩 : 0.5Nm(4.5lb.in)
剥线长度: 7-8mm



5EDGKHM-7.62



Pitch:7.62mm;Poles:2P~12P

● **Material**

Screws : M3
Contact : Phosphor bronze
Housing : PA66,UL94V-0

● **Electrical**

Rated voltage : 800V
Rated current : 20A
Contact resistance : 20mΩ
Insulation resistance: 5000MΩ/DC1000V
Withstanding voltage: AC2000V/1Min
Wire range : 28-10AWG 6mm²

● **Mechanical**

Temp.Range : -40°C~+105°C
Torque : 0.5Nm(4.5lb.in)
Strip length : 7-8mm

● **材质及电镀**

螺丝 : M3
触点材料: 磷青铜
塑件 : PA66,UL94V-0

● **电气性能**

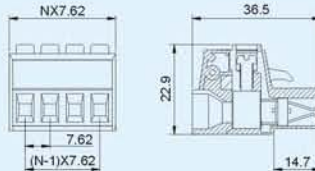
额定电压: 800V
额定电流: 20A
接触电阻: 20mΩ
绝缘电阻: 5000MΩ/DC1000V
耐电压 : AC2000V/1Min
使用线径: 28-10AWG 6mm²

● **机械性能**

温度范围: -40°C~+105°C
扭矩 : 0.5Nm(4.5lb.in)
剥线长度: 7-8mm



5EDGKHH-7.62



Pitch:7.62mm;Poles:2P~12P

● **Material**

Screws : M3
Contact : Phosphor bronze
Housing : PA66,UL94V-0

● **Electrical**

Rated voltage : 800V
Rated current : 32A
Contact resistance : 20mΩ
Insulation resistance: 5000MΩ/DC1000V
Withstanding voltage: AC2000V/1Min
Wire range : 28-10AWG 6mm²

● **Mechanical**

Temp.Range : -40°C~+105°C
Torque : 0.5Nm(4.5lb.in)
Strip length : 7-8mm

● **材质及电镀**

螺丝 : M3
触点材料: 磷青铜
塑件 : PA66,UL94V-0

● **电气性能**

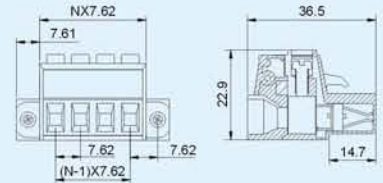
额定电压: 800V
额定电流: 32A
接触电阻: 20mΩ
绝缘电阻: 5000MΩ/DC1000V
耐电压 : AC2000V/1Min
使用线径: 28-10AWG 6mm²

● **机械性能**

温度范围: -40°C~+105°C
扭矩 : 0.5Nm(4.5lb.in)
剥线长度: 7-8mm



5EDGKHHM-7.62



Pitch:7.62mm;Poles:2P~12P

● **Material**

Screws : M3
Contact : Phosphor bronze
Housing : PA66,UL94V-0

● **Electrical**

Rated voltage : 800V
Rated current : 32A
Contact resistance : 20mΩ
Insulation resistance: 5000MΩ/DC1000V
Withstanding voltage: AC2000V/1Min
Wire range : 28-10AWG 6mm²

● **Mechanical**

Temp.Range : -40°C~+105°C
Torque : 0.5Nm(4.5lb.in)
Strip length : 7-8mm

● **材质及电镀**

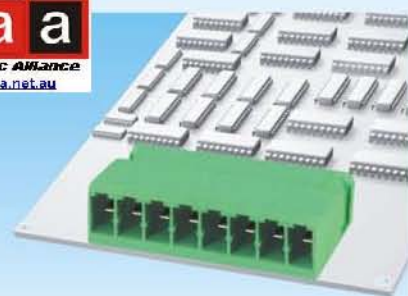
螺丝 : M3
触点材料: 磷青铜
塑件 : PA66,UL94V-0

● **电气性能**

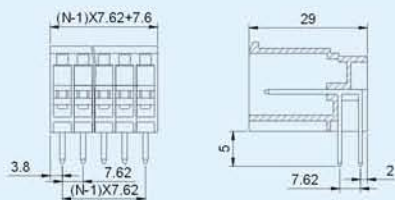
额定电压: 800V
额定电流: 32A
接触电阻: 20mΩ
绝缘电阻: 5000MΩ/DC1000V
耐电压 : AC2000V/1Min
使用线径: 28-10AWG 6mm²

● **机械性能**

温度范围: -40°C~+105°C
扭矩 : 0.5Nm(4.5lb.in)
剥线长度: 7-8mm



5EDGRC-7.62



Pitch:7.62mm;Poles:2P~12P

● **Material**

Pin header : Brass , Tin plated
Housing : PA66, UL94V-0

● **Electrical**

Rated voltage : 800V
Rated current : 32A
Contact resistance : 20mΩ
Insulation resistance : 5000MΩ /DC1000V
Withstanding voltage: AC2000V/1Min

● **Mechanical**

Temp.Range : -40°C~+105°C
Torque : 0.5Nm(4.5lb.in)
Strip length : 7-8mm

● **材质及电镀**

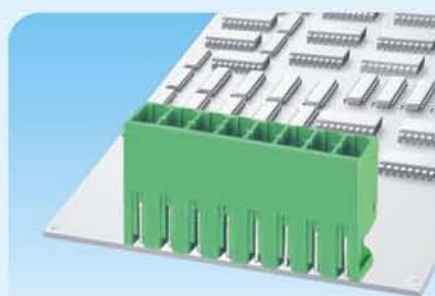
焊针 : 黄铜, 镀锡
塑件 : PA66, UL94V-0

● **电气性能**

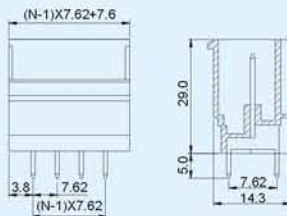
额定电压: 800V
额定电流: 32A
接触电阻: 20mΩ
绝缘电阻: 5000MΩ /DC1000V
耐电压 : AC2000V/1Min

● **机械性能**

温度范围: -40°C~+105°C
扭矩 : 0.5Nm(4.5lb.in)
剥线长度: 7-8mm



5EDGVC-7.62



Pitch:7.62mm;Poles:2P~12P

● **Material**

Pin header : Brass , Tin plated
Housing : PA66, UL94V-0

● **Electrical**

Rated voltage : 800V
Rated current : 32A
Contact resistance : 20mΩ
Insulation resistance : 5000MΩ /DC1000V
Withstanding voltage: AC2000V/1Min

● **Mechanical**

Temp.Range : -40°C~+105°C
Torque : 0.5Nm(4.5lb.in)
Strip length : 7-8mm

● **材质及电镀**

焊针 : 黄铜, 镀锡
塑件 : PA66, UL94V-0

● **电气性能**

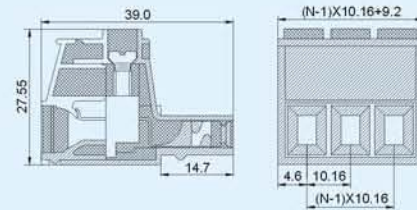
额定电压: 800V
额定电流: 32A
接触电阻: 20mΩ
绝缘电阻: 5000MΩ /DC1000V
耐电压 : AC2000V/1Min

● **机械性能**

温度范围: -40°C~+105°C
扭矩 : 0.5Nm(4.5lb.in)
剥线长度: 7-8mm



5EDGK-10.16



Pitch:10.16mm;Poles:2P~12P

● **Material**

Screws : M4, steel, Zinc plated
Contact : Phospor Bronze
Housing : PA66, UL94V-0

● **Electrical**

Rated voltage : 1000V
Rated current : 41A
Contact resistance : 20mΩ
Insulation resistance : 5000MΩ /DC1000V
Withstanding voltage: AC2000V/1Min
Wire range : 20-7AWG 10.0mm²

● **Mechanical**

Temp.Range : -40°C~+105°C
Torque : 1.2Nm(10.6lb.in)
Strip length : 12-13mm

● **材质及电镀**

螺丝 : M4, 钢, 镀锌
触点材料: 磷青铜
塑件 : PA66, UL94V-0

● **电气性能**

额定电压: 1000V
额定电流: 41A
接触电阻: 20mΩ
绝缘电阻: 5000MΩ /DC1000V
耐电压 : AC2000V/1Min
使用线径: 20-7AWG 10.0mm²

● **机械性能**

温度范围: -40°C~+105°C
扭矩 : 1.2Nm(10.6lb.in)
剥线长度: 12-13



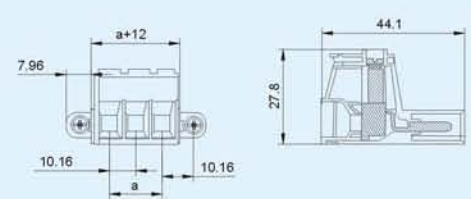
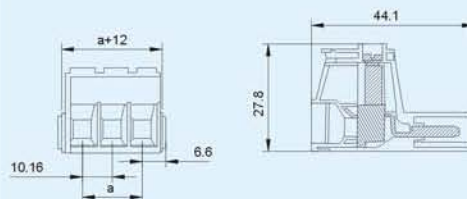
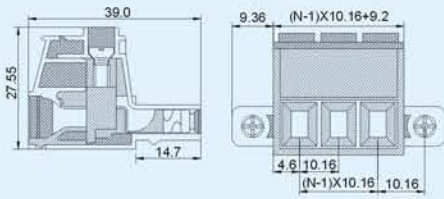
5EDGKM-10.16



5EDGKR-10.16



5EDGKRM-10.16



Pitch:10.16mm;Poles:2P~12P

Pitch:10.16mm;Poles:2P~12P

Pitch:10.16mm;Poles:2P~12P

● **Material**

Screws : M4, steel, Zinc plated
Contact : Phosphor Bronze
Housing : PA66, UL94V-0

● **Material**

Screws : M4, steel, Zinc plated
Contact : Phosphor Bronze, Tin plated
Housing : PA66, UL94V-0

● **Material**

Screws : M4, steel, Zinc plated
Contact : Phosphor Bronze, Tin plated
Housing : PA66, UL94V-0

● **Electrical**

Rated voltage : 1000V
Rated current : 41A
Contact resistance : 20mΩ
Insulation resistance : 5000MΩ/DC1000V
Withstanding voltage: AC2000V/1Min
Wire range : 20-7AWG 10.0mm²

● **Electrical**

Rated voltage : 1000V
Rated current : 41A
Contact resistance : 20mΩ
Insulation resistance : 5000MΩ/DC1000V
Withstanding voltage: AC2000V/1Min
Wire range : 20-6AWG 16mm²

● **Electrical**

Rated voltage : 1000V
Rated current : 41A
Contact resistance : 20mΩ
Insulation resistance : 5000MΩ/DC1000V
Withstanding voltage: AC2000V/1Min
Wire range : 20-6AWG 16mm²

● **Mechanical**

Temp.Range : -40°C~+105°C
Torque : 1.2Nm(10.6lb.in)
Strip length : 12-13mm

● **Mechanical**

Temp.Range : -40°C~+105°C
Torque : 1.2Nm(10.6lb.in)
Strip length : 12-13mm

● **Mechanical**

Temp.Range : -40°C~+105°C
Torque : 1.2Nm(10.6lb.in)
Strip length : 12-13mm

● **材质及电镀**

螺丝 : M4, 钢, 镀锌
触点材料: 磷青铜
塑件 : PA66, UL94V-0

● **材质及电镀**

螺丝 : M4, 钢, 镀锌
触点材料: 磷青铜, 镀锡
塑件 : PA66, UL94V-0

● **材质及电镀**

螺丝 : M4, 钢, 镀锌
触点材料: 磷青铜, 镀锡
塑件 : PA66, UL94V-0

● **电气性能**

额定电压: 1000V
额定电流: 41A
接触电阻: 20mΩ
绝缘电阻: 5000MΩ/DC1000V
耐电压 : AC2000V/1Min
使用线径: 20-7AWG 10.0mm²

● **电气性能**

额定电压: 1000V
额定电流: 41A
接触电阻: 20mΩ
绝缘电阻: 5000MΩ/DC1000V
耐电压 : AC2000V/1Min
使用线径: 20-6AWG 16mm²

● **电气性能**

额定电压: 1000V
额定电流: 41A
接触电阻: 20mΩ
绝缘电阻: 5000MΩ/DC1000V
耐电压 : AC2000V/1Min
使用线径: 20-6AWG 16mm²

● **机械性能**

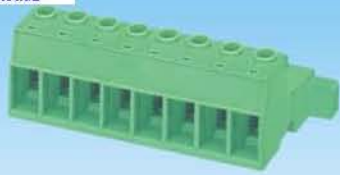
温度范围: -40°C~+105°C
扭矩 : 1.2Nm(10.6lb.in)
剥线长度: 12-13mm

● **机械性能**

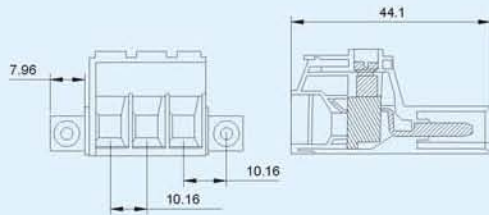
温度范围: -40°C~+105°C
扭矩 : 1.2Nm(10.6lb.in)
剥线长度: 12-13mm

● **机械性能**

温度范围: -40°C~+105°C
扭矩 : 1.2Nm(10.6lb.in)
剥线长度: 12-13mm



5EDGKRP-10.16



Pitch: 10.16mm; Poles: 2P~12P

● **Material**

Screws : M4, steel, Zinc plated
Contact : Phosphor Bronze, Tin plated
Housing : PA66, UL94V-0

● **Electrical**

Rated voltage : 1000V
Rated current : 41A
Contact resistance : 20mΩ
Insulation resistance : 5000MΩ/DC1000V
Withstanding voltage: AC2000V/1Min
Wire range : 20-6AWG 16mm²

● **Mechanical**

Temp. Range : -40°C~+105°C
Torque : 1.2Nm(10.6lb.in)
Strip length : 12-13mm

● **材质及电镀**

螺丝 : M4, 钢, 镀锌
触点材料: 磷青铜, 镀锡
塑件 : PA66, UL94V-0

● **电气性能**

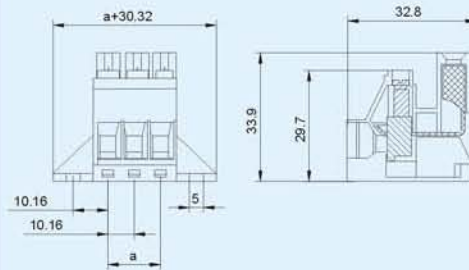
额定电压: 1000V
额定电流: 41A
接触电阻: 20mΩ
绝缘电阻: 5000MΩ/DC1000V
耐电压 : AC2000V/1Min
使用线径: 20-6AWG 16mm²

● **机械性能**

温度范围: -40°C~+105°C
扭矩 : 1.2Nm(10.6lb.in)
剥线长度: 12-13mm



5EDG-STD-10.16



Pitch: 10.16mm; Poles: 2P~12P

● **Material**

Screws : M4, steel, Zinc plated
Contact : Phosphor Bronze, Tin plated
Housing : PA66, UL94V-0

● **Electrical**

Rated voltage : 1000V
Rated current : 41A
Contact resistance : 20mΩ
Insulation resistance : 5000MΩ/DC1000V
Withstanding voltage: AC2000V/1Min
Wire range : 20-6AWG 16mm²

● **Mechanical**

Temp. Range : -40°C~+105°C
Torque : 1.2Nm(10.6lb.in)
Strip length : 12-13mm

● **材质及电镀**

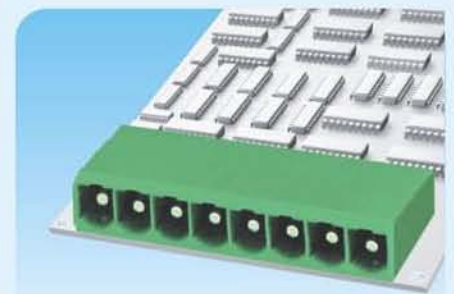
螺丝 : M4, 钢, 镀锌
触点材料: 磷青铜, 镀锡
塑件 : PA66, UL94V-0

● **电气性能**

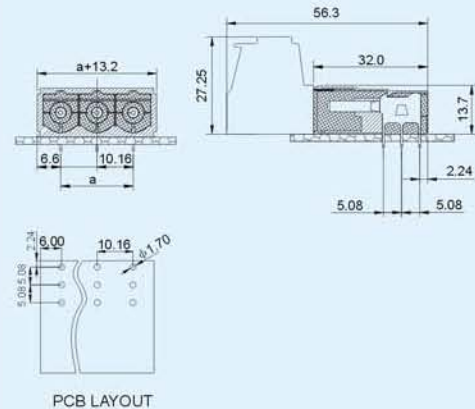
额定电压: 1000V
额定电流: 41A
接触电阻: 20mΩ
绝缘电阻: 5000MΩ/DC1000V
耐电压 : AC2000V/1Min
使用线径: 20-6AWG 16mm²

● **机械性能**

温度范围: -40°C~+105°C
扭矩 : 1.2Nm(10.6lb.in)
剥线长度: 12-13mm



5EDGRCA-10.16



Pitch: 10.16mm; Poles: 2P~12P

● **Material**

Pin header : Brass, Tin plated
Housing : PA66, UL94V-0

● **Electrical**

Rated voltage : 1000V
Rated current : 41A
Contact resistance : 20mΩ
Insulation resistance : 5000MΩ/DC1000V
Withstanding voltage: AC3000V/1Min

● **Mechanical**

Temp. Range : -40°C~+105°C

● **材质及电镀**

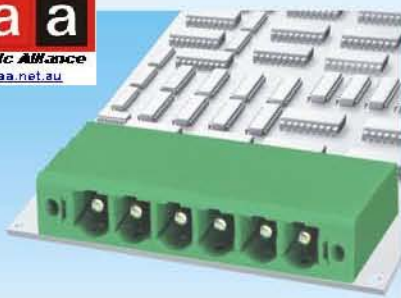
焊针 : 黄铜, 镀锡
塑件 : PA66, UL94V-0

● **电气性能**

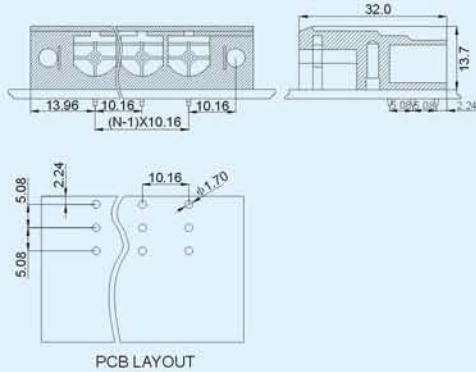
额定电压: 1000V
额定电流: 41A
接触电阻: 20mΩ
绝缘电阻: 5000MΩ/DC1000V
耐电压 : AC3000V/1Min

● **机械性能**

温度范围: -40°C~+105°C

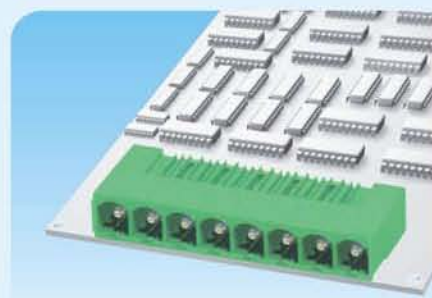


5EDGRMA-10.16

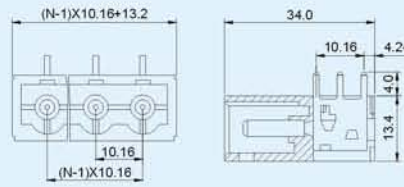


Pitch:10.16mm;Poles:2P~12P

- **Material**
Pin header : Brass, Tin plated
Housing : PA66, UL94V-0
- **Electrical**
Rated voltage : 1000V
Rated current : 41A
Contact resistance : 20mΩ
Insulation resistance : 5000MΩ/DC1000V
Withstanding voltage: AC3000V/1Min
- **Mechanical**
Temp.Range : -40°C~+105°C
- **材质及电镀**
焊针 : 黄铜, 镀锡
塑件 : PA66, UL94V-0
- **电气性能**
额定电压: 1000V
额定电流: 41A
接触电阻: 20mΩ
绝缘电阻: 5000MΩ/DC1000V
耐电压 : AC3000V/1Min
- **机械性能**
温度范围: -40°C~+105°C

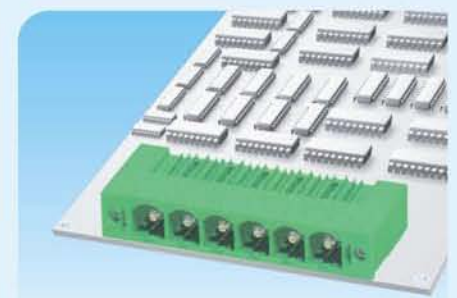


5EDGRCB-10.16

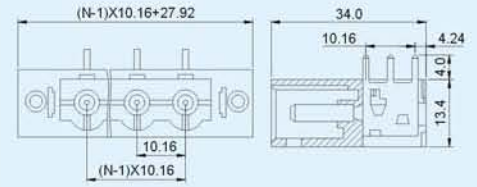


Pitch:10.16mm;Poles:2P~12P

- **Material**
Pinheader : Brass, Tin plated
Housing : PA66, UL94V-0
- **Electrical**
Rated voltage : 1000V
Rated current : 41A
Contact resistance : 20mΩ
Insulation resistance : 5000MΩ/DC1000V
Withstanding voltage: AC3000V/1Min
- **Mechanical**
Temp.Range : -40°C~+105°C
- **材质及电镀**
焊针 : 黄铜, 镀锡
塑件 : PA66, UL94V-0
- **电气性能**
额定电压: 1000V
额定电流: 41A
接触电阻: 20mΩ
绝缘电阻: 5000MΩ/DC1000V
耐电压 : AC3000V/1Min
- **机械性能**
温度范围: -40°C~+105°C

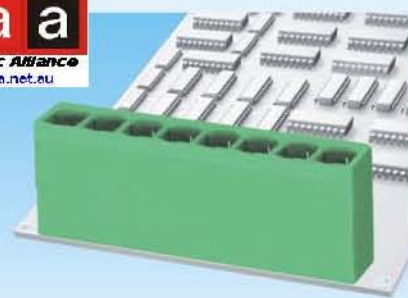


5EDGRMB-10.16

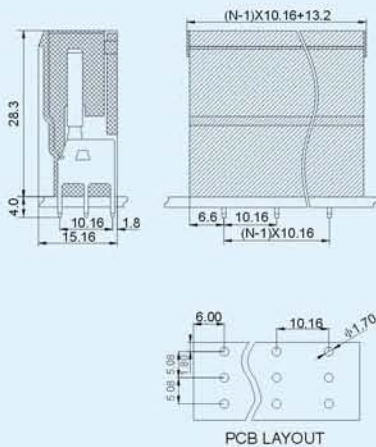


Pitch:10.16mm;Poles:2P~12P

- **Material**
Pin header : Brass, Tin plated
Housing : PA66, UL94V-0
- **Electrical**
Rated voltage : 1000V
Rated current : 41A
Contact resistance : 20mΩ
Insulation resistance : 5000MΩ/DC1000V
Withstanding voltage: AC3000V/1Min
- **Mechanical**
Temp.Range : -40°C~+105°C
- **材质及电镀**
焊针 : 黄铜, 镀锡
塑件 : PA66, UL94V-0
- **电气性能**
额定电压: 1000V
额定电流: 41A
接触电阻: 20mΩ
绝缘电阻: 5000MΩ/DC1000V
耐电压 : AC3000V/1Min
- **机械性能**
温度范围: -40°C~+105°C



5EDGVC-10.16



Pitch:10.16mm;Poles:2P~12P

● **Material**

Pin header : Brass, Tin plated
Housing : PA66, UL94V-0

● **Electrical**

Rated voltage : 1000V
Rated current : 41A
Contact resistance : 20m Ω
Insulation resistance : 5000M Ω /DC1000V
Withstanding voltage: AC3000V/1Min

● **Mechanical**

Temp.Range : -40 $^{\circ}$ C~+105 $^{\circ}$ C

● **材质及电镀**

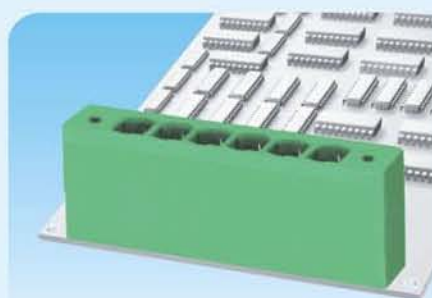
焊针 : 黄铜, 镀锡
塑件 : PA66, UL94V-0

● **电气性能**

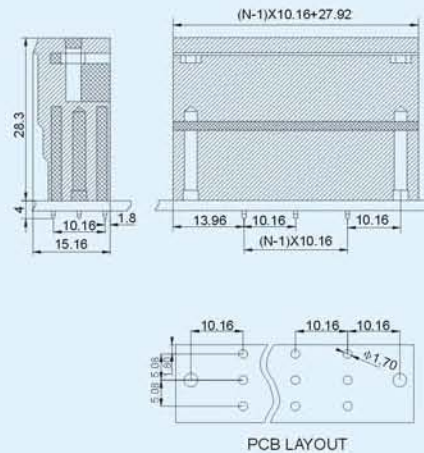
额定电压: 1000V
额定电流: 41A
接触电阻: 20m Ω
绝缘电阻: 5000M Ω /DC1000V
耐电压 : AC3000V/1Min

● **机械性能**

温度范围: -40 $^{\circ}$ C~+105 $^{\circ}$ C



5EDGVM-10.16



Pitch:10.16mm;Poles:2P~12P

● **Material**

Pin header : Brass, Tin plated
Housing : PA66, UL94V-0

● **Electrical**

Rated voltage : 1000V
Rated current : 41A
Contact resistance : 20m Ω
Insulation resistance : 5000M Ω /DC1000V
Withstanding voltage: AC3000V/1Min

● **Mechanical**

Temp.Range : -40 $^{\circ}$ C~+105 $^{\circ}$ C

● **材质及电镀**

焊针 : 黄铜, 镀锡
塑件 : PA66, UL94V-0

● **电气性能**

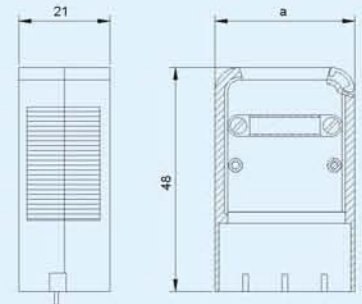
额定电压: 1000V
额定电流: 41A
接触电阻: 20m Ω
绝缘电阻: 5000M Ω /DC1000V
耐电压 : AC3000V/1Min

● **机械性能**

温度范围: -40 $^{\circ}$ C~+105 $^{\circ}$ C



5EDGXA-7.62



Pitch:7.62mm;Poles:3P~5P

● **Material**

Housing : ABS, UL94V-0

● **Mechanical**

Temp.Range : -40 $^{\circ}$ C~+105 $^{\circ}$ C

● **材质及电镀**

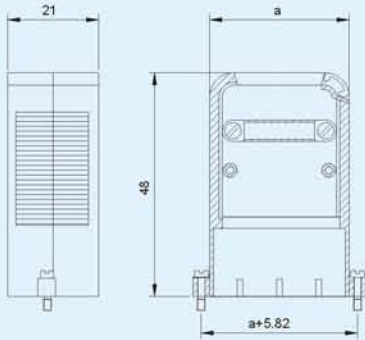
塑件 : ABS, UL94V-0

● **机械性能**

温度范围: -40 $^{\circ}$ C~+105 $^{\circ}$ C



5EDGMXA-7.62



Pitch:7.62mm;Poles:3P~5P

● **Material**

Housing : ABS, UL94V-0

● **Mechanical**

Temp.Range : -40°C~+105°C

● **材质及电镀**

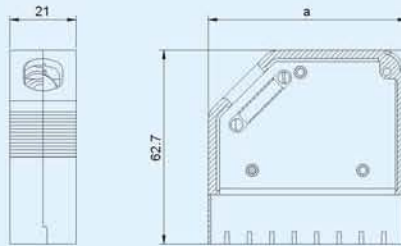
塑件 : ABS, UL94V-0

● **机械性能**

温度范围: -40°C~+105°C



5EDGXB-7.62



Pitch:7.62mm;Poles:6P~12P

● **Material**

Housing : ABS, UL94V-0

● **Mechanical**

Temp.Range : -40°C~+105°C

● **材质及电镀**

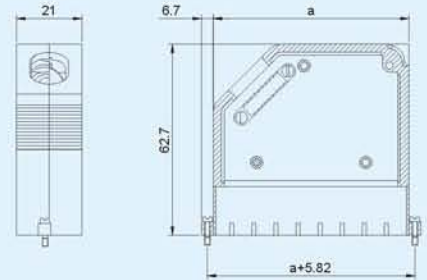
塑件 : ABS, UL94V-0

● **机械性能**

温度范围: -40°C~+105°C



5EDGMXB-7.62



Pitch:7.62mm;Poles:6P~12P

● **Material**

Housing : ABS, UL94V-0

● **Mechanical**

Temp.Range : -40°C~+105°C

● **材质及电镀**

塑件 : ABS, UL94V-0

● **机械性能**

温度范围: -40°C~+105°C